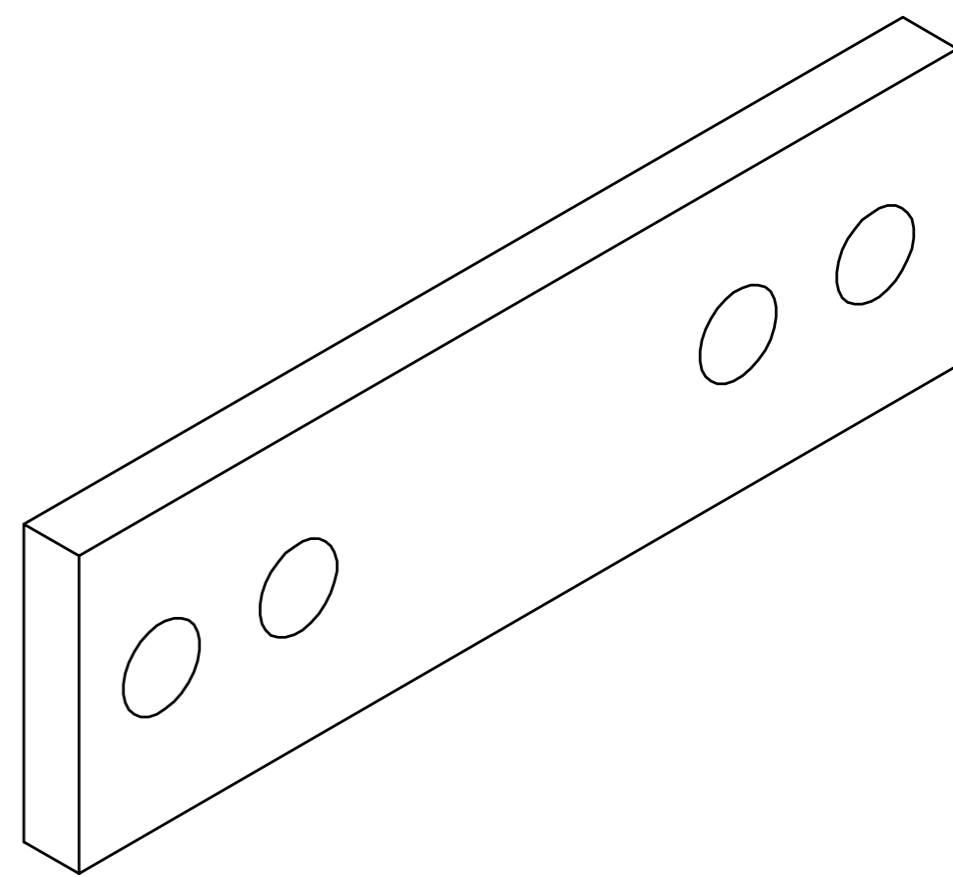
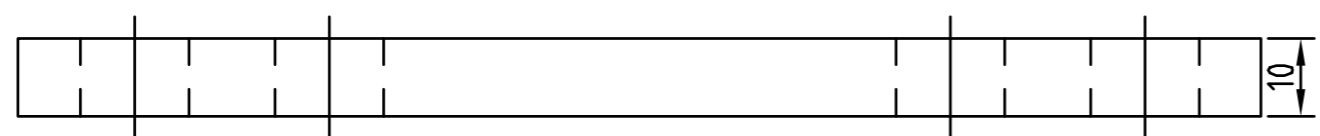
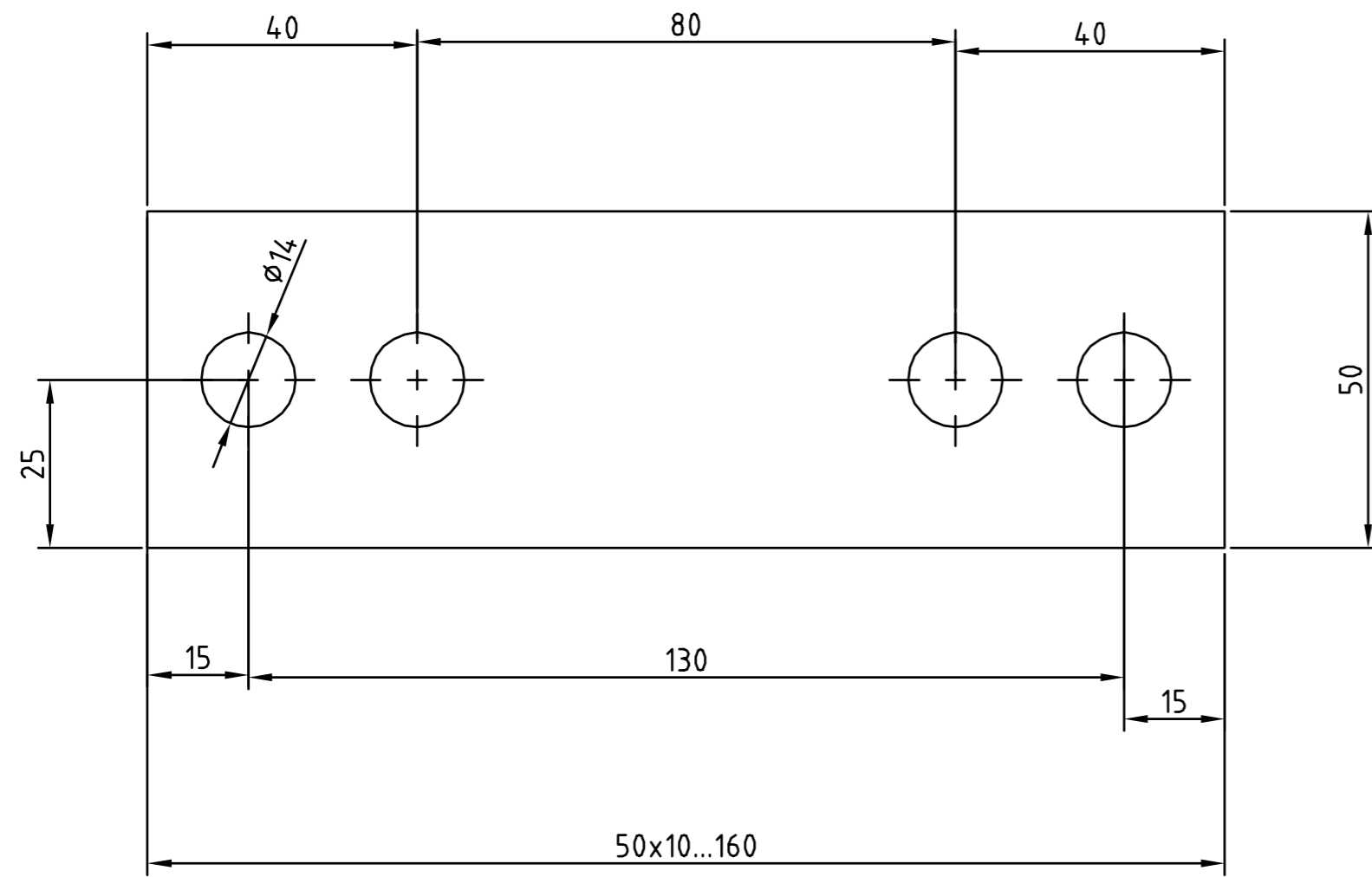



13583



Design	6.11.2001	at	Scale 1:1	Associated with Tolerance class middle	Description 1 Vastalatta
Drawn	6.11.2001	at			Description 2 AML160-1
Check					Description 3
Approv.					
Plot Date			 Aerial Oy Tel. +358-9-2790 120 Fax. +358-9-2910 210 Box 22 04401 Järvenpää Finland http://www.aerial.fi aerial@aerial.fi	Material 1 Fe37, Hzn	
Mass				Outline size	
DWG Drawing2.dwg					